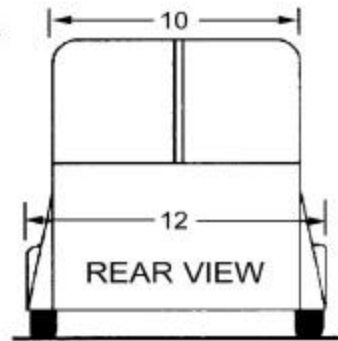
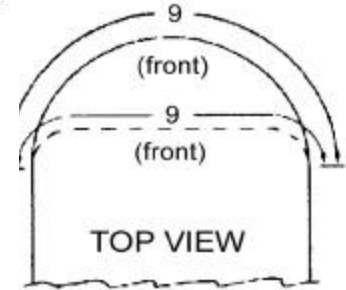
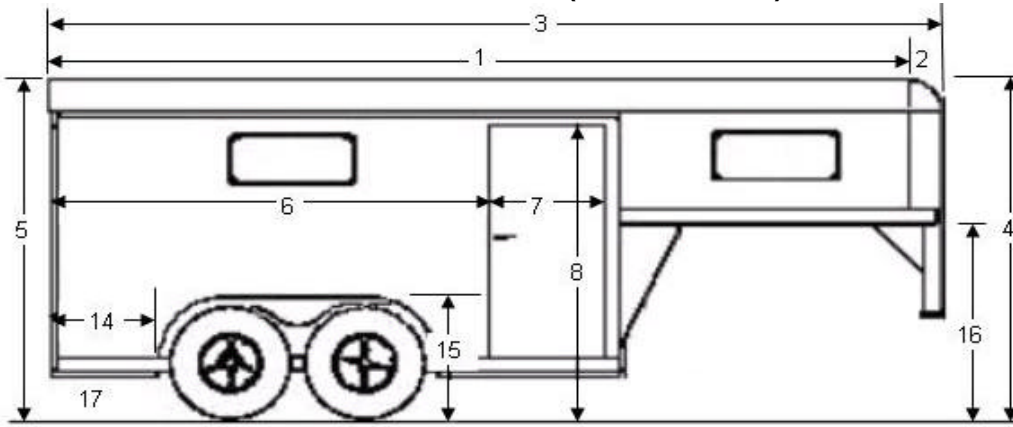


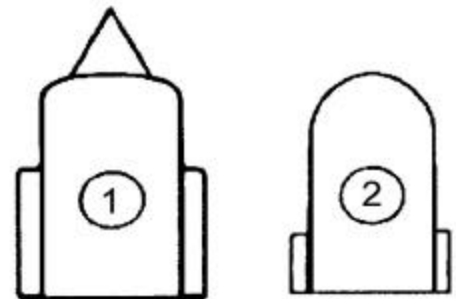


# DIMENSION SHEET - CARGO / HORSE TRAILER (GOOSENECK)

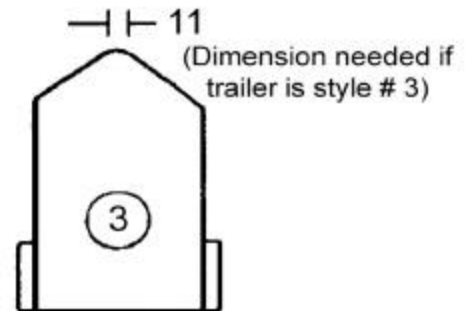


- 1 Distance from rear of trailer to seam \_\_\_\_\_
- 2 Distance from seam to front of trailer \_\_\_\_\_
- 3 Overall length, front to rear \_\_\_\_\_
- 4 Ground to top of roof at front \_\_\_\_\_
- 5 Ground to top of roof at rear \_\_\_\_\_
- 6 Distance from rear of trailer to door \_\_\_\_\_
- 7 Door width (note which side of trailer) \_\_\_\_\_
- 8 Ground to top of door \_\_\_\_\_
- 9 Distance from seam on one side, around the front to the seam on the other side. \_\_\_\_\_
- 10 Width of body, NOT including the fenders \_\_\_\_\_
- 11 Width of body at front, if trailer is style # 3 (at right) \_\_\_\_\_
- 12 Overall width, including fenders \_\_\_\_\_
- 13 If style #3, height to top at front from ground \_\_\_\_\_
- 14 Rear of trailer to beginning of fender \_\_\_\_\_
- 15 Height to top of fender from ground \_\_\_\_\_
- 16 Height to "neck" from ground \_\_\_\_\_
- 17 Ground clearance \_\_\_\_\_

NOTE: All measurements, except # 9, are taken on a straight horizontal or vertical line, NOT a curve or slant.



**Top Views of Different Styles**  
Check the style that corresponds to this trailer.



### Trailer Information

Does the trailer have an AC? \_\_\_\_\_  
If yes, give measurements from rear of trailer to AC \_\_\_\_\_

Year \_\_\_\_\_ Style (at right) \_\_\_\_\_

Make \_\_\_\_\_

Model \_\_\_\_\_

Name \_\_\_\_\_ Daytime Phone \_\_\_\_\_

Date of order \_\_\_\_\_