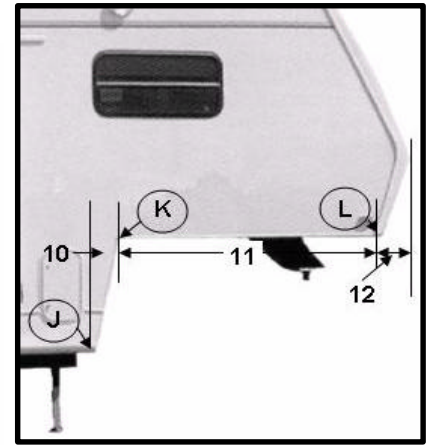
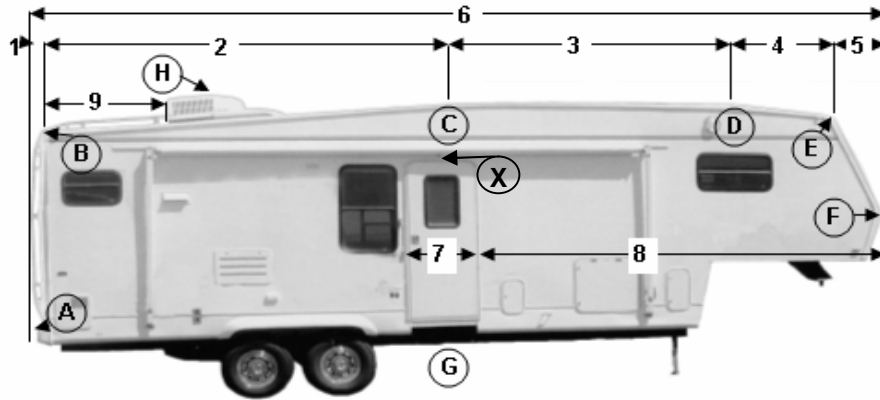




DIMENSION SHEET - FIFTH WHEEL TRAVEL TRAILER (LATE MODEL)



Lengths - Measured Horizontally

- # 1 Rear bumper to rear of roof _____
- # 2 Rear of roof to point "C" _____
- # 3 Point "C" to point "D" _____
- # 4 Point "D" to front of roof _____
- # 5 Front of roof to front of nose _____
- # 1 through # 5 should be the same as # 6. Total _____
- # 6 Overall Length _____
- # 7 Door width _____
- # 8 Trailer front to front edge of door _____
- # 9 Rear of trailer to AC _____
- # 10 Lower floor to upper floor _____
- # 11 Length of upper floor _____
- # 12 Upper floor to front of nose _____

Heights - Measured from Ground

- A Height at rear bumper _____
- B Height of roof at rear _____
- C Height at point "C" _____
- D Height at point "D" _____
- E Height at front of roof _____
- F Height at point "F" _____
- G Ground Clearance _____
- H Height at top of AC _____
- X Height at top of door _____

Shaded dimensions required if cover is to be contoured to the front of the trailer

- J Height at point "J" _____
- K Height at point "K" _____
- L Height at point "L" _____

Widths, Measured Side to Side at Points Shown

- | | |
|--------------------------------|----------------------------|
| A Width at rear bumper _____ | F Width at point "F" _____ |
| B Width at rear of roof _____ | J Width at point "J" _____ |
| C Width at point "C" _____ | K Width at point "K" _____ |
| D Width at point "D" _____ | L Width at point "L" _____ |
| E Width at front of roof _____ | |

Trailer Information

- 1 Do you have an awning? _____ How far does it extend out from the side (closed) _____
Driver or passenger side?
- 2 Do you have a 2nd AC? _____ Measure the distance between the two _____
- 3 Do you have a rear ladder? _____ How far from the rear does it extend? _____

YEAR _____ MAKE _____

MODEL _____ FLOOR PLAN _____

Name _____

Daytime phone _____

Date of order _____

A photo of the trailer will help us make the pattern. The photo can be returned if requested.